



**la marzocco**

handmade in florence

# la marzocco technical bulletin #151

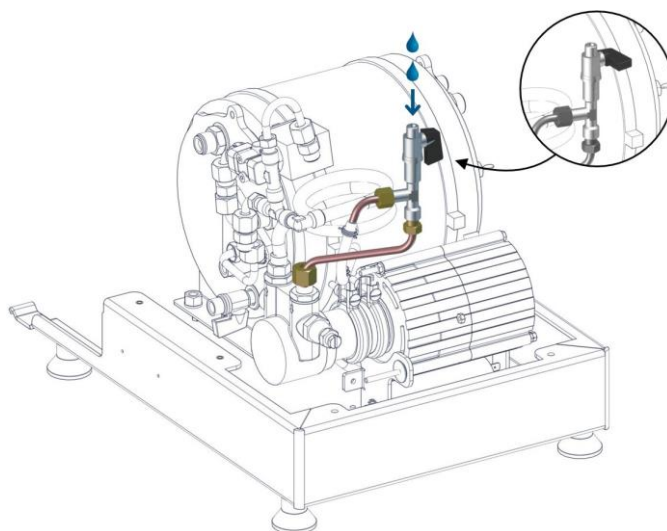
## Linea Mini Self-Priming System

January 24, 2019

The Linea Mini now has a self-priming system to help with occasional issues during first installation. With the previous system, the pump was sometimes unable to take water from the reservoir because of air in the plastic tube. The only solution in some cases was to disconnect the inlet tube and manually pour some water into the pump. This new system allows water to be easily reintroduced into the pump through a ball valve which is connected to the pump.

If your Linea Mini, upon first installation, is not pulling water from the reservoir please complete the following instructions:

1. Turn power switch to OFF position and unplug machine.
2. Remove the cup tray grate and tray.
3. Open the ball valve and pour approximately one ounce, 30 milliliters, of water into the valve.
  - a. Note: it is recommended to use a syringe or funnel to prevent accidentally getting any of the electrical components wet.
4. Close the ball valve.
5. Plug in machine and turn power switch to ON position.
6. The machine should now pump water as normal.



This self-priming system was introduced starting with Linea Mini serial number LM010510.

Do not hesitate to contact our solutions team with any questions you have about this technical bulletin.

[solutions.usa@lamarzocco.com](mailto:solutions.usa@lamarzocco.com)

206.706.9104 x101